



GLOBEFAN TECHNOLOGY CO., LTD.

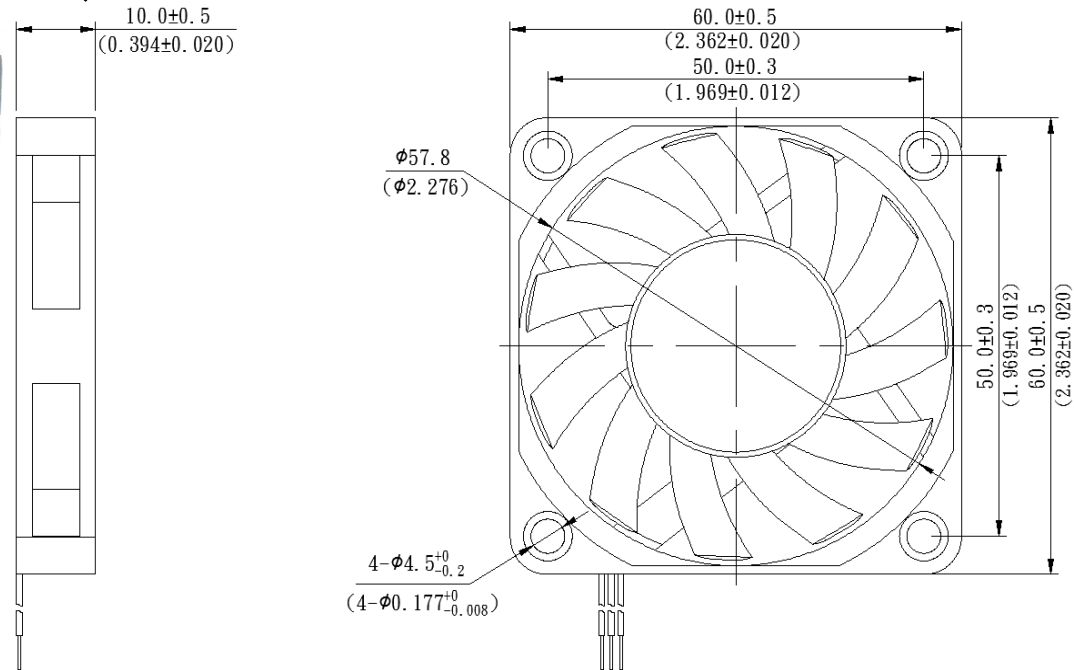
No. 28, 3 Lane Zhongxinjin Road, Jin Industry District Shoei Koou Village,

Da Laang Town, Dungguan City, Guangdong Province, China

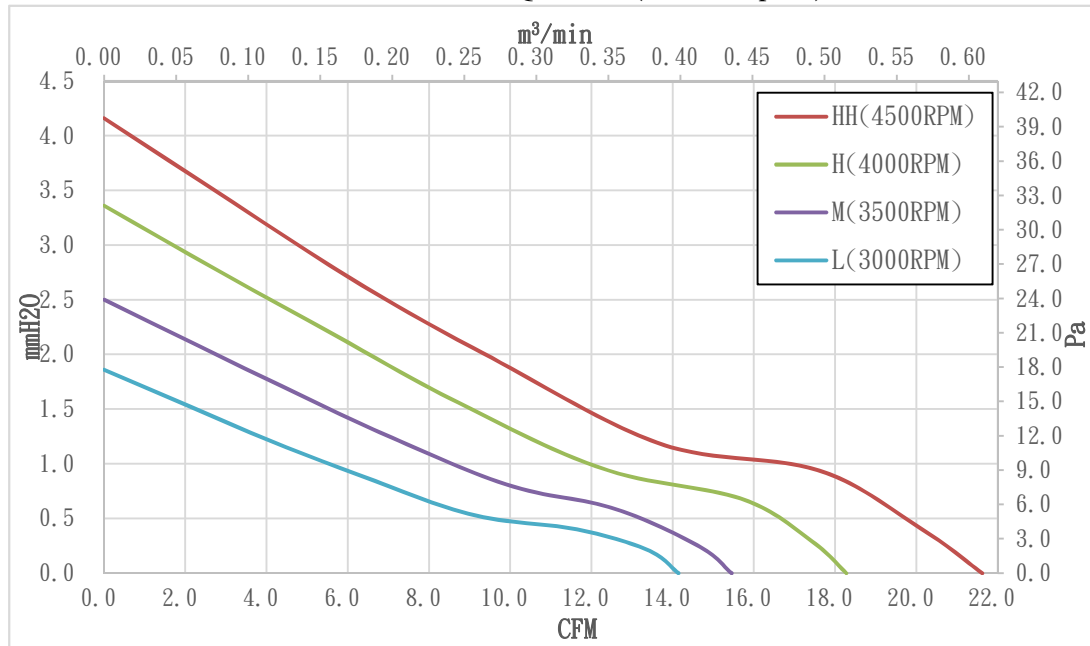
Tel : +86 769 83182898~9

Fax : +86 769 83182897

◆ DIMENSIONS DRAWING



◆ 60x60x10mm DC Axial Fan P/Q Curves (At rated speed)



* BEARING TYPE

- Ball bearing
- Sleeve bearing

* Electrical Function

- Frequency Generator Output Signal
- RD (Lock Detection) Output Signal

* Material

Impeller: Plastic (PBT 30%GF)
Frame : Plastic (PBT 30%GF)

* Lead wires

UL1007 28AWG or Equivalent
Black Wire Negative (-)
Red or Yellow Wire Positive (+)
White Wire Signal (FG)

* Weight :24.8g (0.87 oz)

MODEL	Operating Voltage Range	Rated Voltage	Rated Current	Rated Input Power	Speed	Maximum Air Flow		Maximum Air Pressure		Noise
						m^3/min	CFM	mmH_2O	Pa	
Part No.	VDC	VDC	Amp	Watts	R.P.M	m^3/min	CFM	mmH_2O	Pa	dB(A)
B/S0601012HH	6 ~13.8	12	0.33	4.0	4500±10%	0.61	21.62	4.16	40.80	34.4
B/S0601012H	6 ~13.8	12	0.30	3.6	4000±10%	0.52	18.27	3.36	32.95	31.2
B/S0601012M	6 ~13.8	12	0.20	2.4	3500±10%	0.44	15.45	2.50	24.52	27.4
B/S0601012L	6 ~13.8	12	0.15	1.8	3000±10%	0.40	14.14	1.86	18.24	23.3

* Function type is optional.

* The max. air flow and speed are measured in free air; max. air pressure is measured at close to zero air flow.

* Noise is measured in anechoic chamber in free air, one meter from intake side.

* All readings are typical values at rated voltage.

* Specifications are subject to change without notice.